



REDWALL® 4010/3020/404

EXTERNAL PIR SENSORS



FEATURES

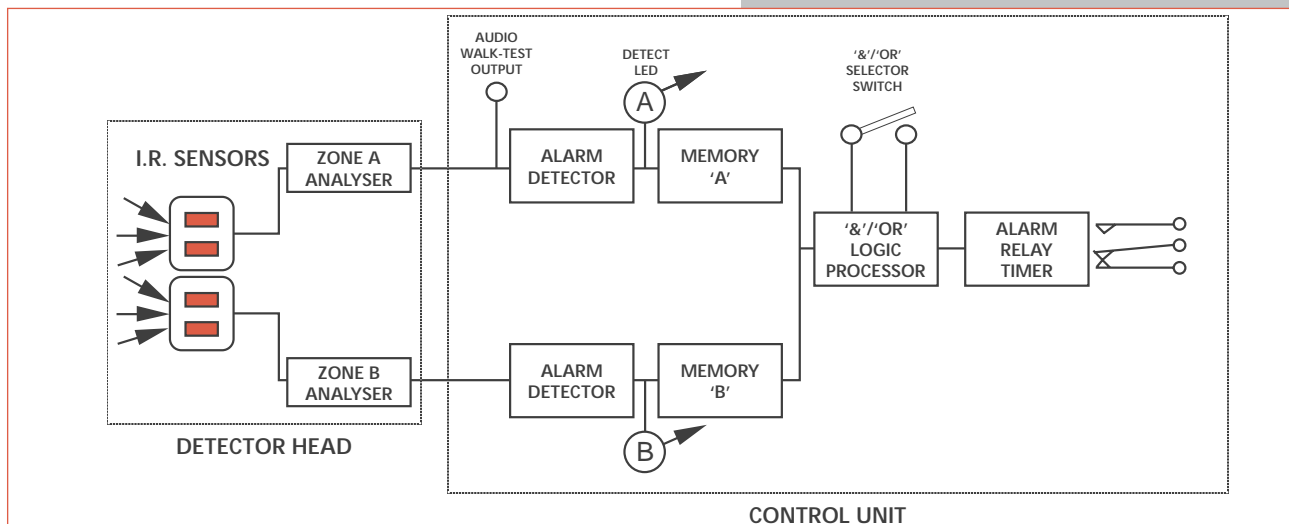
- Reliable operation
- All-metal sensor head
- High RFI/EMI immunity
- 40m x 10m long range
- 30m x 20m wide angle
- 40m x 4m curtain
- Dual channel processing
- Twin dual sensors
- Tamper resistant bracket
- High or medium sensitivity setting
- IP 65 rated

CONCEPT

The Redwall® 4010/3020 and 404 are PIR sensors specifically designed for external CCTV detection applications. Their small size, attractive appearance and accurate detection makes them ideal for the activation of video transmission systems and the positioning of pan and tilt and dome cameras. They can also be used on manned CCTV systems to alert an operators attention to movement in a specific area. These detectors are single ended devices and do not emit or transmit signals. They are safe for use in all applications.

OPERATION

Detection is achieved by monitoring far infrared levels between an intruder and the background in the detectors multiple fields of view. These detectors use twin dual element sensors and twin electronic processors to achieve detection while maintaining operational stability. A precision optical array combining reflective and refractive lenses provide the sensors with a precise coverage pattern that can be accurately aligned using the LRP 1020 Audio Walk Tester.



Security Enclosures Limited

Unit 9, Four Seasons Crescent, Sutton, Surrey SM3 9QR, UK. Tel: +44 (0)20 8254 22 22. Fax: +44 (0)20 8641 00 17.

internet address: www.securityenclosures.co.uk

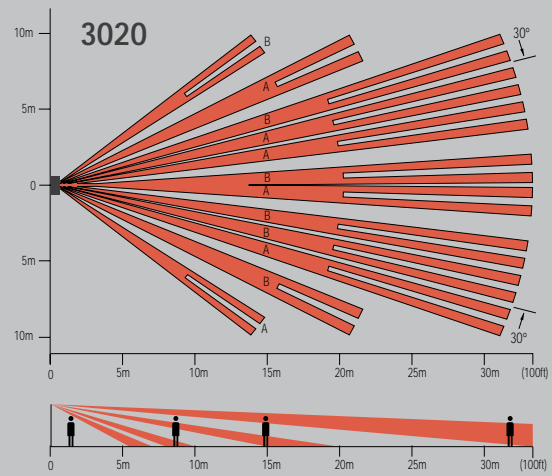
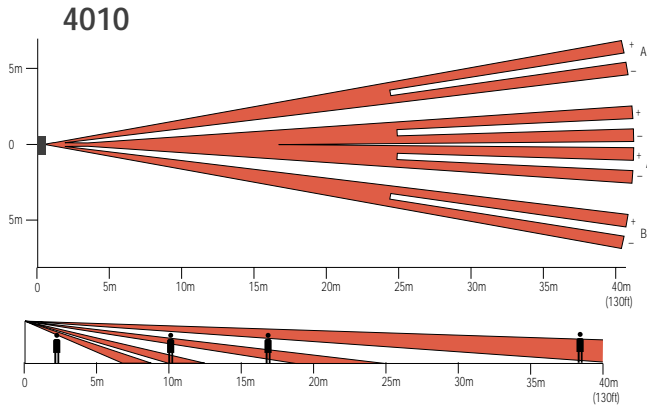
E-Mail: sales@securityenclosures.co.uk

EXTERNAL PIR'S 40M X 10M, 30M X 20M AND 40M X 4M COVERAGE

APPLICATIONS

The Redwall® 4010/3020 and 404 are rugged all metal outdoor passive infrared detectors designed to operate as motion sensors for CCTV installations. They can be used to activate video transmission systems, position pan and tilt or dome cameras or alert an operators attention to movement in a specific area.

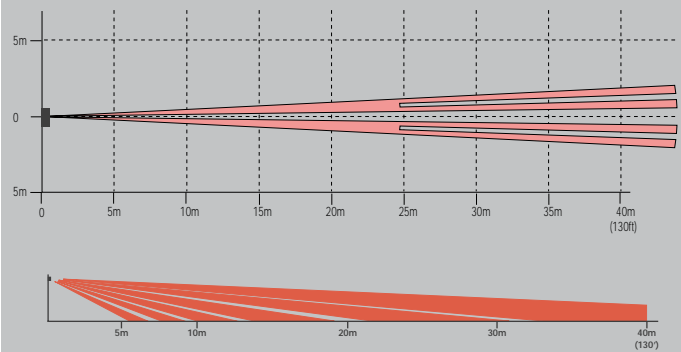
When used in conjunction with an LRP105 Interswitch these sensors can be used to simultaneously control lighting thereby reducing both energy and maintenance costs while increasing site security.



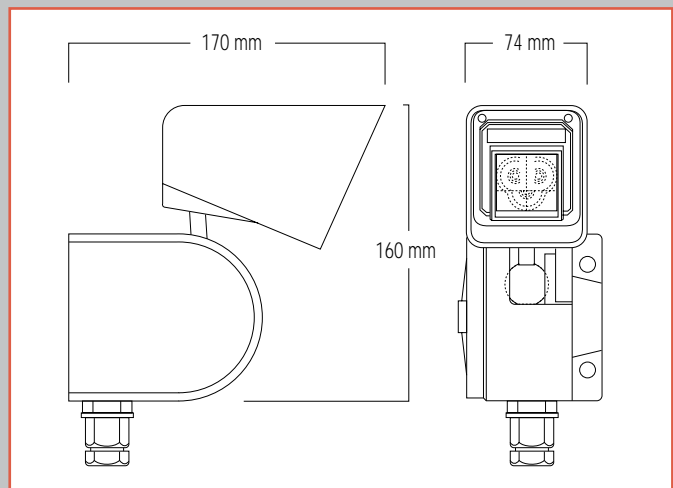
SPECIFICATIONS

Range LRP 3020	30m x 20m (95' x 62') 30 degree arc
Range LRP 4010	40m x 10m (125' x 30') 20 degree arc
Range LRP 404	40m x 4m (125' x 12') 5 degree arc
Zones LRP 3020	48 dual zones 4 layers of 12 zones
Zones LRP 4010	16 dual zones 4 layers of 4 zones
Zones LRP 404	16 dual zones 4 layers of 4 zones
Supply Voltage	11-16 V DC (12 V nominal)
Alarm Contact	Form IC Relay 30 V 1-amp
Tamper Contact	Form 1B 30 V - 1-amp
Current Consumption	25mA
Walk Test	2 x Led - Visual/Audible
Operating Temp.	-10°C +50°C (-40°C Heated Version)
Weight	500gm
Environmental Protection	IP65
Appearance Detector	White Powder Coat

404



DIMENSIONS



ACCESSORIES

- LRP 105 - 240 V AC power supply with light sensor and timer for switching 240 V AC loads up to 1200 watts incandescent.
- LRP 1020 - Audio Walk Tester



..... quality external detection.



This unit is designed to detect intrusion and initiate a signal to control equipment. It is not a burglar/theft prevention device and we cannot accept responsibility for any losses should they occur. Due to continued improvement specifications are subject to change without prior notice.